



*Design By: Artistic Cabinetry*

## Looking for an Angle Power Strip?

This selection guide will walk through how to select an Angle Power Strip perfect for any job. Don't see what you're looking for in the standard options? Contact Design Services at **866-848-9094** or e-mail **DesignAndSupport@TaskLighting.com** for help on customizing a Slim Profile (APT Series) or Duplex Receptacle (TR Series) Angle Power Strip.

### STEP 1

### Do you want Single or Duplex Receptacles?

#### Single Receptacle

##### APT Series

- Slim profile
- Multiple standard lengths and 15 amp receptacles
- Customize fixture with additional receptacles and switches, custom lengths, and receptacle/switch placement – call Design Services at 866-848-9094 for custom orders



15 Amp Single Receptacle

#### Duplex Receptacle

##### TR Series

- Multiple standard lengths and 20 amp receptacles
- Customize fixture with additional 20 amp receptacles and switches, custom lengths, receptacle/switch placement, and more (see page 24 for more options) – call Design Services at 866-848-9094 for custom orders



20 Amp Duplex Receptacle

##### TR-USB Series

- Available in standard fixtures only – for customization, see the TR Series and custom options on page 22
- 1 – 15 amp USB/receptacle combo located on left side
- Duplex receptacle quantity and placement determined by length of fixture



15 Amp USB/Receptacle Combo



20 Amp Duplex Receptacle

##### TRS Series

- Available in standard fixtures only – for customization, see the TR Series and custom options on page 22
- 1 – 15 amp switch receptacle combo in 9" and 12" fixtures
- 1 – 15 amp dual switch device in 18" – 36" fixtures Select right or left side for switch location
- Duplex receptacle quantity and placement determined by length of fixture



15 Amp Switch/Receptacle Combo



15 Amp Dual Switch



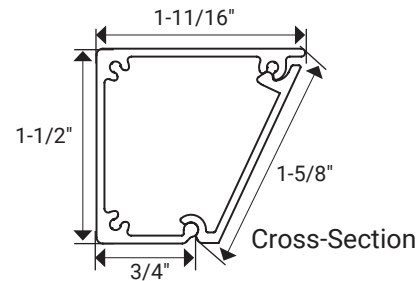
20 Amp Duplex Receptacle

## STEP 2

Select the desired standard length for the fixture

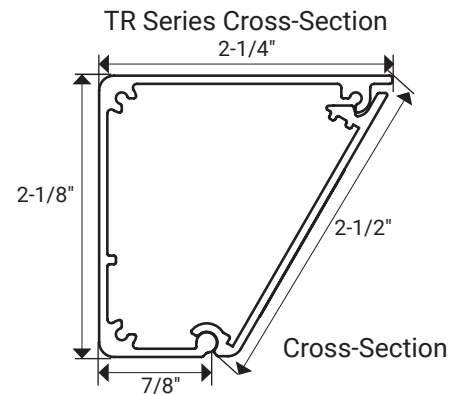
### APT Series

- 9" (229 mm) **APT9-2Color-P-Finish-Position\***
  - 12" (305 mm) **APT12-2Color-P-Finish-Position\***
  - 18" (457 mm) **APT18-3Color-P-Finish-Position\***
  - 24" (610 mm) **APT24-4Color-P-Finish**
  - 30" (762 mm) **APT30-4Color-P-Finish**
  - 36" (914 mm) **APT36-4Color-P-Finish**
  - 42" (1067 mm) **APT42-5Color-P-Finish**
  - 48" (1219 mm) **APT48-5Color-P-Finish**
  - 60" (1524 mm) **APT60-7Color-P-Finish**
  - 72" (1829 mm) **APT72-8Color-P-Finish**
- \*Position indicates Left (L) or Right (R) side wire entry**



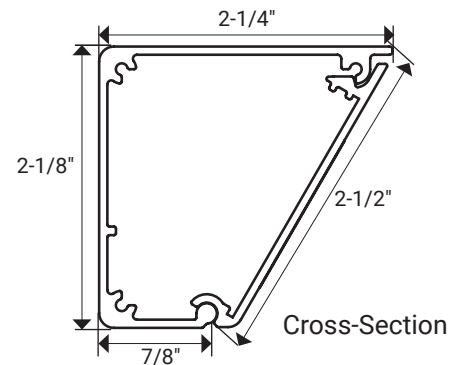
### TR Series

- 9" (229 mm) **TR9-1ColorD-P-Finish**
- 12" (305 mm) **TR12-1ColorD-P-Finish**
- 18" (457 mm) **TR18-2ColorD-P-Finish**
- 24" (610 mm) **TR24-2ColorD-P-Finish**
- 30" (762 mm) **TR30-2ColorD-P-Finish**
- 36" (914 mm) **TR36-2ColorD-P-Finish**
- 42" (1067 mm) **TR42-3ColorD-P-Finish**
- 48" (1219 mm) **TR48-3ColorD-P-Finish**
- 60" (1524 mm) **TR60-4ColorD-P-Finish**
- 72" (1829 mm) **TR72-4ColorD-P-Finish**



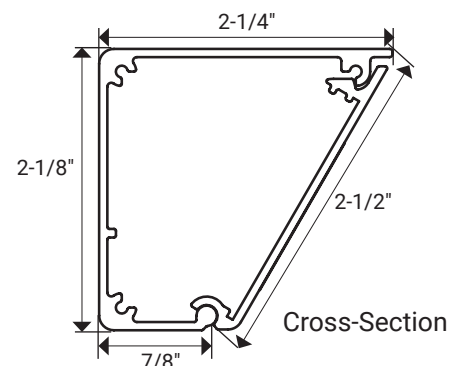
### TR-USB Series

- 9" (229 mm) **TRU9-1ColorD-P-Finish**
- 12" (305 mm) **TRU12-1ColorD-P-Finish**
- 18" (457 mm) **TRU18-2ColorD-P-Finish**
- 24" (610 mm) **TRU24-2ColorD-P-Finish**
- 30" (762 mm) **TRU30-2ColorD-P-Finish**
- 36" (914 mm) **TRU36-2ColorD-P-Finish**
- 42" (1067 mm) **TRU42-3ColorD-P-Finish**
- 48" (1219 mm) **TRU48-3ColorD-P-Finish**
- 60" (1524 mm) **TRU60-4ColorD-P-Finish**
- 72" (1829 mm) **TRU72-4ColorD-P-Finish**



### TRS Series

- 9" (229 mm) **TRS9-1Color-Finish**
  - 12" (305 mm) **TRS12-1Color-Finish**
  - 18" (457 mm) **TRS18-2Color-Finish-Switch\***
  - 24" (610 mm) **TRS24-3Color-Finish-Switch\***
  - 30" (762 mm) **TRS30-3Color-Finish-Switch\***
  - 36" (914 mm) **TRS36-3Color-Finish-Switch\***
- \*Switch indicates Left Side (LS) or Right Side (RS) switch location**



## STEP 3 Select the Finish Option with coordinating receptacle color

Things to keep in mind when selecting a finish: Blend with backsplash color to reduce fixture visibility, coordinate with cabinet color, or match nearby hardware.

### APT Series

Finish options with coordinating receptacle color (24" fixture shown)

**NOTE:** If a different finish / receptacle color pairing is desired, call Design Services at 866-848-9094.



### TR Series

Finish options with coordinating receptacle color (24" fixture shown)

**NOTE:** If a different finish / receptacle color pairing is desired, call Design Services at 866-848-9094.



### TR-USB Series

Finish options with coordinating USB/receptacle color (24" fixture shown)

**NOTE:** If a different finish / receptacle color pairing is desired, call Design Services at 866-848-9094.



### TRS Series

Finish options with coordinating switch/receptacle color (24" fixture shown with Left Side Switch)

**NOTE:** If a different finish / receptacle color pairing is desired, call Design Services at 866-848-9094.



Below are examples of Angle Power Strip part numbers. Dealer choices, described in Steps 1-3, are indicated in blue. Coordinating receptacle color must match fixture finish in Step 3, otherwise it is a custom fixture.

### EXAMPLE APT PART NUMBER

APT Series	Number of Receptacles	Powder Coat	Left Side Wire Entry (select for 18" lengths and under)
↓	↓	↓	↓
<b>A P T 9</b>	<b>- 2</b>	<b>W</b>	<b>- P - W T - L</b>
↑	↑	↑	↑
Select Fixture Size	Coordinating Receptacle Color	Select Fixture Finish	



### EXAMPLE TR PART NUMBER

TR Series	Number of Receptacles	Powder Coat	
↓	↓	↓	
<b>T R 3 6</b>	<b>- 2</b>	<b>G D</b>	<b>- P - S N</b>
↑	↑	↑	↑
Select Fixture Size	Coordinating Duplex Receptacle Color	Select Fixture Finish	



### EXAMPLE TR-USB PART NUMBER

TR-USB Series	Number of Receptacles	Powder Coat	
↓	↓	↓	
<b>T R U 1 8</b>	<b>- 2</b>	<b>B D</b>	<b>- P - B Z</b>
↑	↑	↑	↑
Select Fixture Size	Coordinating Duplex Receptacle and USB/ Receptacle Color	Select Fixture Finish	



### EXAMPLE TRS PART NUMBER

TRS Series	Number of Receptacles	Select Fixture Finish	
↓	↓	↓	
<b>T R S 2 4</b>	<b>- 3</b>	<b>B</b>	<b>- B K - L S</b>
↑	↑	↑	↑
Select Fixture Size	Coordinating Duplex Receptacle and Switch Color	Select Switch Location	

