

Kitchen & Bath Sinks

Stainless Steel Sinks

In the kitchens of today's modern homes, we no longer find just a cook, we find aspiring chefs. All great chefs need a handy helper, space, and convenience. Find just that in a Stainless Steel Sink from Hardware Resources.



All Hardware Resources Stainless Steel Sinks are:

- Made of high-quality materials—SUS304 Stainless Steel, with 18/8 chromium/nickel content, has a high resistance to rust, corrosion, and oxidation.
- Insulated—Strong and quiet, these sinks have an added layer of insulation on the bottom to reduce sound.
- Durable—Reinforced plates on the sides and bottom of the sink help prevent bending or buckling.
- Manufactured responsibly—Care has been taken to protect the environment while providing an easy-to-clean, quality product.
- UPC Certified—These codes are designed to provide consumers with safe and sanitary plumbing systems. Unless otherwise specified, all stainless steel sinks are UPC Certified.
- Lifetime Warranty—Hardware Resources believes in quality, integrity, and reliability by offering a lifetime warranty on all of our Stainless Steel Sinks and accessories (see page 300).



Complies with ASME
A112.19.3-2008/CSA
B45.4-08



Sinks

Stainless Steel Sinks

Apron-Front/Farmhouse.....	290
Premium Handmade	291
Premium	292
Economy.....	292
Accessories (Strainer).....	292
Utility & Bar	293

Porcelain Vanity Sinks

Oval Vanity Sinks	295
Rectangle Vanity Sinks	295
Specifications.....	296-299
Care & Cleaning.....	300
Warranty	300

Mounting Kits

All stainless steel sinks ship with mounting kit and a paper template.

DXF cutting template files are available for download at www.HardwareResources.com.

Premium Stainless Steel Sinks



HA200 shown in use



HA225 shown in use

APRON-FRONT/FARMHOUSE

304 SS with Satin Finish • Insulated Bottom • UPC Certified



HA200 - 16-Gauge
Stainless Steel
Apron-Front/Farmhouse Sink
35-7/8" L x 20-3/4" W x 10" D

*Grid sold separately (HA200-GRID)
Strainer sold separately (STRAINER-200)*



HA225 - 16-Gauge
Stainless Steel
Apron-Front/Farmhouse Sink
with two unequal bowls
35-7/8" L x 20-3/4" W x 10" D

*Grid sold separately (HA225-GRID)
Strainer sold separately (STRAINER-200)*

See pages 296-299 for specifications and dimensions.

PREMIUM HANDMADE

304 SS with Satin Finish • Insulated Bottom • UPC Certified



HMS190 & HMS190-GRID shown in use



HMS250 - 16-Gauge
Stainless Steel Undermount Sink
with two equal bowls
32" L x 19" W x 10-3/8" D
*Grid sold separately (HMS250-GRID)
Strainer sold separately (STRAINER-200)*



HMS260L - 16-Gauge
Stainless Steel Undermount Sink
with two unequal bowls
32" L x 19" W x 10-3/8" D
*Grid sold separately (HMS260-GRID)
Strainer sold separately (STRAINER-200)*



HMS200 - 16-Gauge
Stainless Steel Undermount Sink
32" L x 19" W x 10-3/8" D
*Grid sold separately (HMS200-GRID)
Strainer sold separately (STRAINER-200)*



HMS190 - 16-Gauge
Stainless Steel Undermount Sink
30" L x 18" W x 10-3/8" D
*Grid sold separately (HMS190-GRID)
Strainer sold separately (STRAINER-200)*



HMS175 shown in use



HMS175 - 16-Gauge
Stainless Steel Undermount Sink
23" L x 18" W x 10-3/8" D
*Grid sold separately (HMS175-GRID)
Strainer sold separately (STRAINER-200)*

**See pages 296-299
for specifications
and dimensions.**

Stainless Steel Sinks

PREMIUM

304 SS with Satin Finish • Insulated Bottom • UPC Certified

**801L** - 16-Gauge

Stainless Steel Undermount Sink
with two unequal bowls
(larger bowl on left)

32" L x 20-3/4" W x 9" D*Strainer sold separately (STRAINER-200)***802** - 16-Gauge

Stainless Steel Undermount Sink
with two equal bowls

32-1/4" L x 18-1/2" W x 9" D*Strainer sold separately (STRAINER-200)*

802 shown in use

ECONOMY

304 SS with Satin Finish • Insulated Bottom • UPC Certified

**807L** - 18-Gauge

Stainless Steel Undermount Sink
with two unequal bowls
(larger bowl on left)

31-1/2" L x 20-1/2" W x 9" D*Strainer sold separately (STRAINER-200)***801L-18/801R-18** - 18-Gauge

Stainless Steel Undermount Sink
with two unequal bowls
(larger bowl on left (801L)
or right (801R))

32" L x 20-5/8" W x 9" D*Strainer sold separately (STRAINER-200)***802-18** - 18-Gauge

Stainless Steel Undermount Sink
with two equal bowls

32-1/4" L x 18-1/2" W x 9" D*Strainer sold separately (STRAINER-200)***868** - 18-Gauge

Stainless Steel Rectangular
Undermount Sink

30" L x 18" W x 9" D*Strainer sold separately (STRAINER-200)***910-1*** - 20-Gauge

Stainless Steel Drop-in Sink
with two equal bowls

33" L x 22" W x 9" D*Strainer sold separately (STRAINER-200)*

**See pages 296-299 for
specifications and dimensions.**

ACCESSORIES

**STRAINER-200**

Stainless Steel Sink Strainer
for 3-1/2" Drain Openings

**Does not comply with UPC Certification*



861 shown in use

UTILITY & BAR

304 SS with Satin Finish • Insulated Bottom • UPC Certified



861 - 18-Gauge
Stainless Steel Large D-Bowl
Undermount Sink
23-1/4" L x 20-7/8" W x 9" D
Strainer sold separately (STRAINER-200)



862 - 18-Gauge
Stainless Steel
Undermount Sink
23-1/2" L x 17-3/4" W x 9" D
Strainer sold separately (STRAINER-200)



863* - 18-Gauge
Stainless Steel D-Bowl
Undermount Sink
19-3/4" L x 20-1/2" W x 9" D
Strainer sold separately (STRAINER-200)



869 - 18-Gauge
Stainless Steel
Undermount Bar Sink
14-1/2" L x 13" W x 7" D
Strainer sold separately (STRAINER-200)



869 shown
in use

**See pages 296-299 for
specifications and dimensions.**

Porcelain Vanity Sinks

In today's bathrooms, sinks need to hold up against life yet still look sophisticated and elegant. Hardware Resources offers just that in our undermount Porcelain Vanity Sinks with the classic oval and the more trendy rectangle designs, both offered in two popular sizes.



H8810WH shown in use

For beautiful furniture-style vanities that coordinate with these sinks, please see page 229.

All Hardware Resources Porcelain Vanity Sinks are:

- Designed with the customer in mind—Featuring a deep bowl, our Porcelain Vanity Sinks allow more usable space and include an overflow drain.
- Made of high-quality materials—Porcelain is durable, easy-to-clean, and resistant to corrosion.
- Manufactured responsibly—Care has been taken to protect the environment while providing a quality product.
- UPC Certified—These codes are designed to provide consumers with safe and sanitary plumbing systems. All porcelain sinks are UPC Certified.
- Lifetime Warranty—Hardware Resources believes in quality, integrity, and reliability by offering a lifetime warranty on all of our porcelain sinks (see page 300).



Complies with ASME
A112.19.3-2008/CSA
B45.4-08



Mounting Kits

All porcelain sinks ship with mounting kit and a paper template.

DXF cutting template files are available for download at www.HardwareResources.com.



PORCELAIN VANITY

Highly Durable Porcelain • Overflow Drain • UPC Certified



H8809 - Parchment[†]
Small Oval Porcelain
Undermount Sink
17-1/2" L x 14-9/16" W x 7" D



H8809WH - White
Small Oval Porcelain
Undermount Sink
17-1/2" L x 14-9/16" W x 7" D



H8909WH - White
Small Rectangle Porcelain
Undermount Sink
18-1/8" L x 12" W x 6-7/8" D



H8810 - Parchment[†]
Large Oval Porcelain
Undermount Sink
19-11/16" L x 15-3/4" W x 6-7/8" D



H8810WH - White
Large Oval Porcelain
Undermount Sink
19-11/16" L x 15-3/4" W x 6-7/8" D



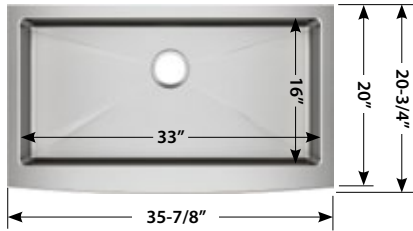
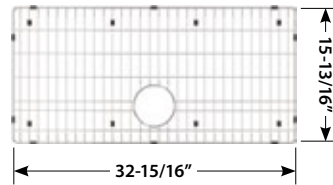
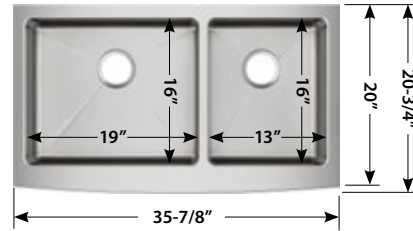
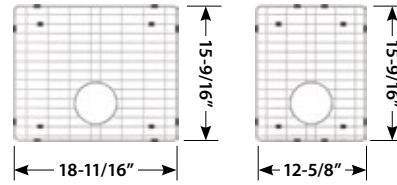
H8910WH - White
Large Rectangle Porcelain
Undermount Sink
20-7/8" L x 13-3/8" W x 6-7/8" D

See pages 296-299 for specifications and dimensions.

Specifications & Dimensions

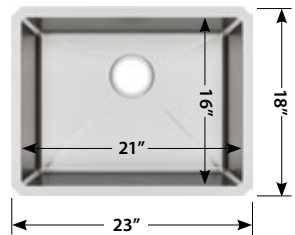
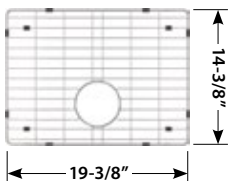
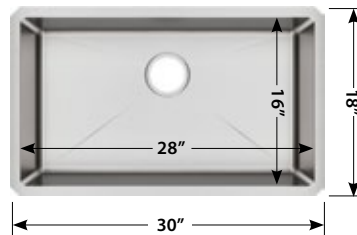
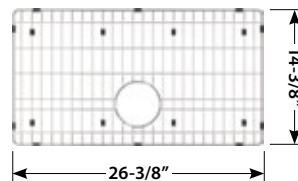
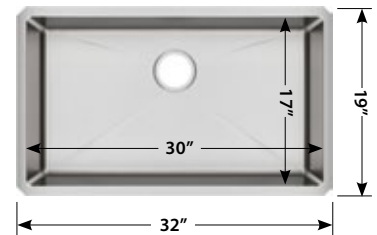
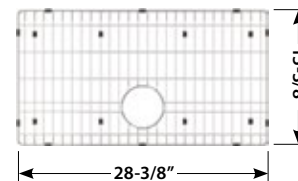
APRON-FRONT/FARMHOUSE

Undermount/Flush Mount

HA200**HA200-GRID****HA225****HA225-GRID**

PREMIUM HANDMADE

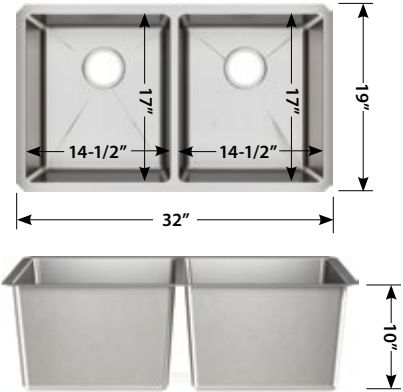
Undermount

HMS175**HMS175-GRID****HMS190****HMS190-GRID****HMS200****HMS200-GRID**

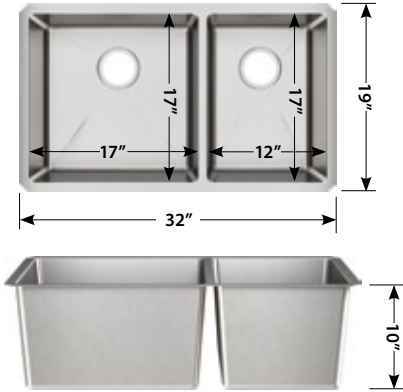
PREMIUM HANDMADE

Undermount

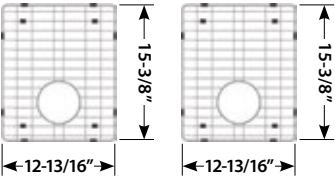
HMS250



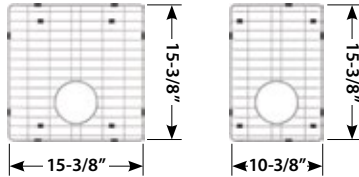
HMS260L



HMS250-GRID



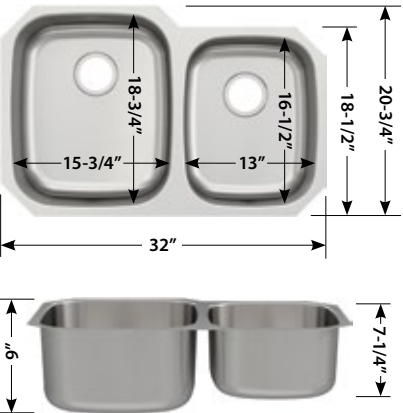
HMS260-GRID



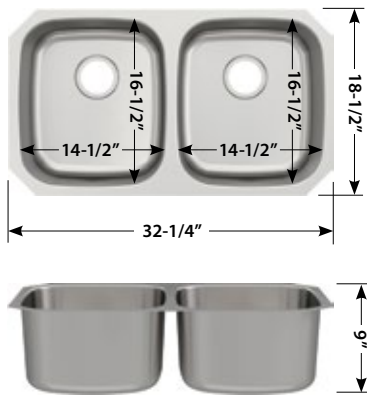
PREMIUM

Undermount

801L



802



ACCESSORIES

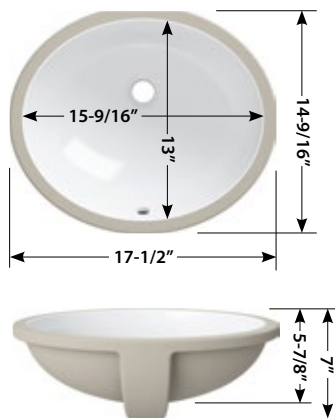
STRAINER-200



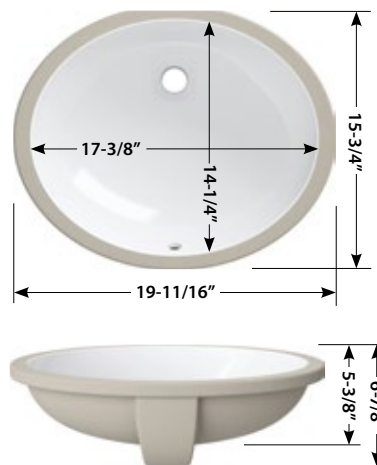
PORCELAIN VANITY

Undermount

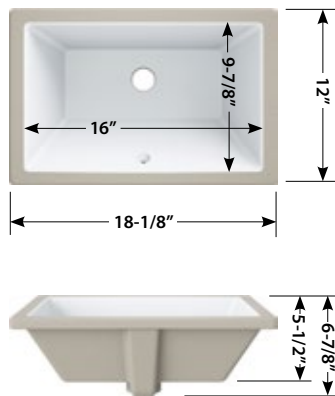
H8809/H8809WH



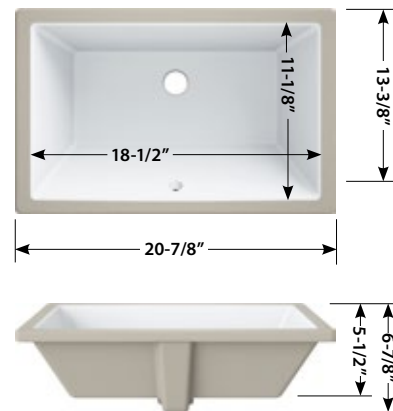
H8810/H8810WH



H8909WH



H8910WH



Care & Cleaning

Do:

1. When it comes to maintenance, the best thing is to be consistent in cleaning. Frequent light cleaning is preferable to heavy-duty cleaning every once in a while.
2. Make sure the sink is clean and dry when not in use. This is the best method of preventative maintenance.
3. Keep the drain clog-free to prevent standing water, which can lead to mineral deposit build up. If a mineral build up should occur, use a mixture of vinegar and hot water to remove the deposit.
4. To clean the stainless steel sink, use a non abrasive cleaning cloth combined with a mild cleaning product or baking soda. For tougher stains use a mild abrasive cleaner like Barkeeper's Friend™, Ajax™ or Comet™.
5. Follow the direction of the stainless steel grain when cleaning or scrubbing stains because scrubbing against the grain will show as a scratch.



Do Not:

1. Don't leave soaps and other cleaners in the sink overnight. Do not use solutions with bleach in the sink. All of these items contain chemicals that may damage the sink if left on the surface.
2. Don't use steel wool on the sink. If aggressive cleaning is needed, use a Scotch-Brite pad and rub in the direction of the satin finish lines.
3. Don't leave bars of soap, wet sponges or cleaning pads on the faucet ledge. These items over time will dull and possibly pit the surface of the sink.
4. Don't leave salt, vinegar, citrus fruit juices, mustard, or pickles on the sink; wipe them up immediately as they contain citric acids. Over time, these items can etch the surface.
5. Don't leave any steel or cast iron cookware in the sink for a long period of time. This may also leave iron particles that will corrode the sink.
6. Don't use Lime-A-Way™ or similar cleaners as they will damage the sink's surface and cause rusting.



Product Warranty

Hardware Resources believes in quality, integrity, and reliability. We uphold the highest standards of service and responsibility in the industry.

As such, Hardware Resources warrants all stainless steel and porcelain sinks against defects in material and workmanship as long as the original consumer purchaser owns the products, if the original consumer purchased the products from an authorized distributor of Hardware Resources. Hardware Resources cannot guarantee the quality or condition of products from distributors who do not agree to meet our high standards, and therefore, no warranty is provided for products from unauthorized sellers.

If the finish of any of these items tarnishes, corrodes, rusts, begins to chip or rub off or has any other defect, Hardware Resources will send to the original purchaser, a new replacement product of the same or comparable style and quality at no charge. If a replacement is no longer available, Hardware Resources will refund to the original purchaser, the current wholesale value of the sink.

This warranty is a warranty of replacement only. Hardware Resources specifically does not warrant removal of the product nor installation of replacement new product. This warranty does not apply when the item has been tampered with, misused, improperly installed, altered from the original form, or damaged through improper cleaning, abuse or accident.

In the unlikely event that a defective stainless steel sink is encountered, please contact Customer Service at 800.463.0660. Please be able to provide a brief description and photographs of the defect.